



Un-pressurized small hot water storage tank

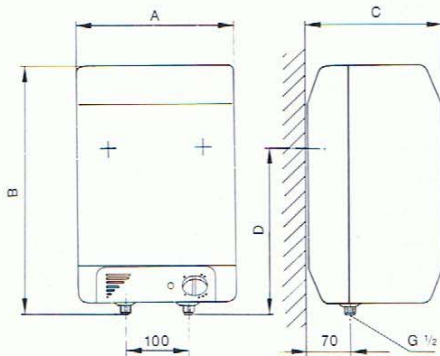
KRU / KRO
5 and 10 l



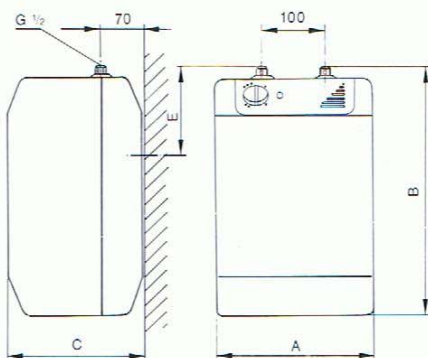
Heat you can feel

Un-pressurized small hot water storage tank

Model installed above the table



Model installed under the table



Electric-small Capacity Water Heaters

Technical data and accessories

Types: KRO/KRU

- Capacity: 5, 10l; 2,0 kW
- Depressurized inner tank of polypropylen
- High-quality PU-foam insulation (CFC-free)
- Temperature infinitely controlled up to 80°C
- White synthetic casing
- Control pilot lamp
- Anti-freeze-setting
- Connection cable with electric plugs
- Warm and cold water supply RG 1/2"
- Draining via water tube
- Heating elements made of copper
- Melting soldering fuse
- Capillary tube regulator
- Available for installation above and under the table
- Tested against all standard regulations

Accessories:

- UWM 1/2" supply RG 1/2"
2 pieces with holes of 8,5mm incl. pressure gasket
- MH 1015 unpressurized special combination set mounting above the table RG 1/2" with stop valve
- MHU 0510 unpressurized special one-hole combination set for mounting under the table RG 1/2" with corner valve

Type	Mounting	Nominal Capacity in Litres	Heating Time in hrs.	Capacity kW ~ 220V AC	Dimensions in mm					Temperature Range in °C		Weight in kg	Stand-by Energy Consumption kWhrs./24 hrs.	Max. Draining in Litres/min.
					A	B	C	D	E	from	to			
KRO 0520	above the table	5	0,25	2,0	256	390	210	210		10	80	4	0,24	5
KRU 0520	under the table	5	0,25	2,0	256	390	210		138	10	80	4	0,29	5
KRO 1020	above the table	10	0,50	2,0	310	454	261	354		10	80	5	0,31	10
KRU 1020	under the table	10	0,50	2,0	310	454	261		179	10	80	5	0,33	10